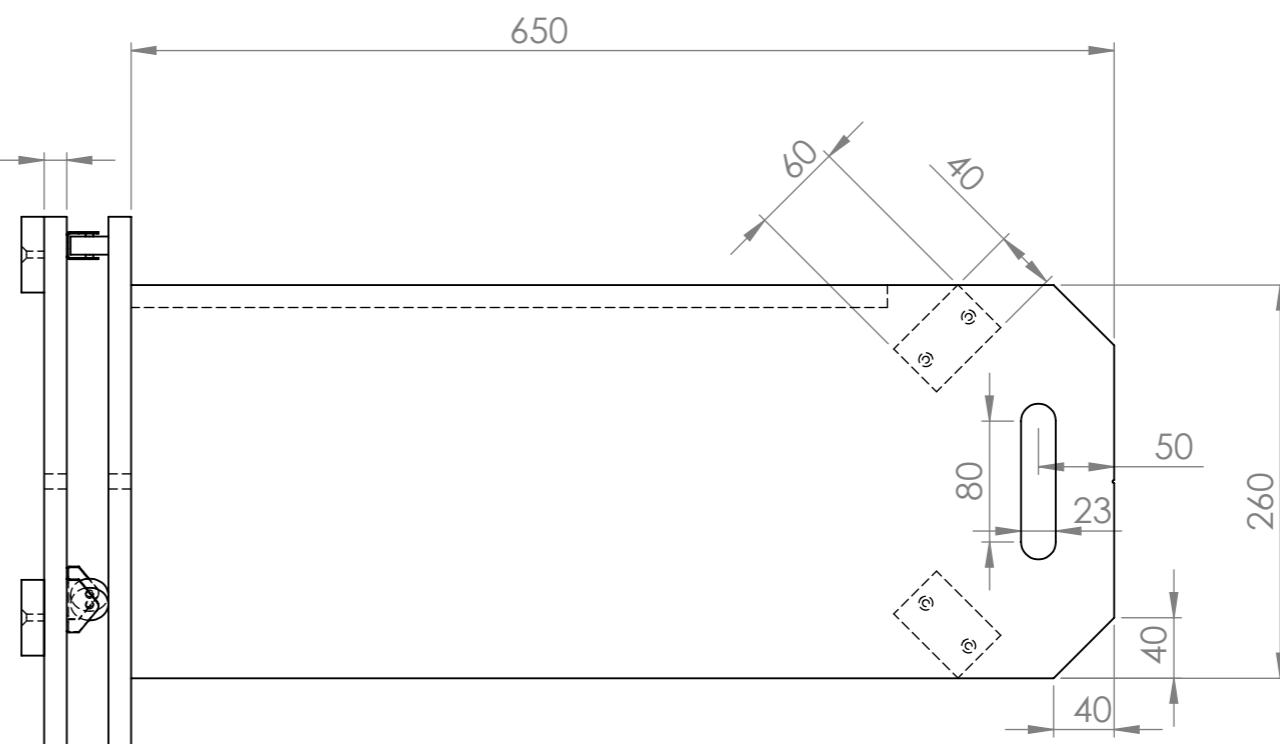


15
alle stukken



UNLESS OTHERWISE SPECIFIED:
DIMENSIONS ARE IN MILLIMETERS
SURFACE FINISH:
TOLERANCES:
LINEAR: DIN ISO 2768-m
ANGULAR:

Universiteit Gent
Vakgroep Fysica & Sterrenkunde
Krijgslaan 281 S9 B-9000 Gent BELGIUM
+32 (0)9 264 47 74



DRAWN :
NAME
DATE
FINISH:

TITLE:
Dobson 15cm f8

MATERIAL:

DWG NO. **Dobson**
A3