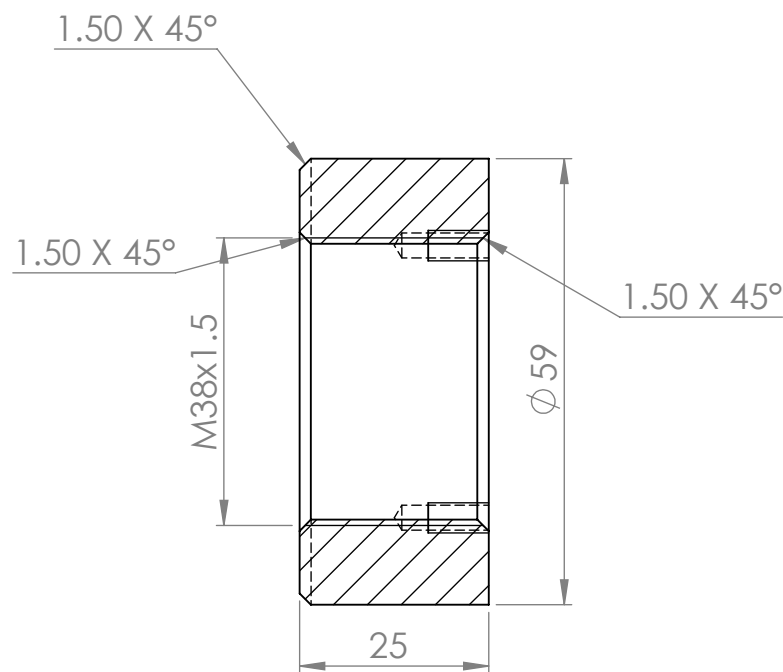
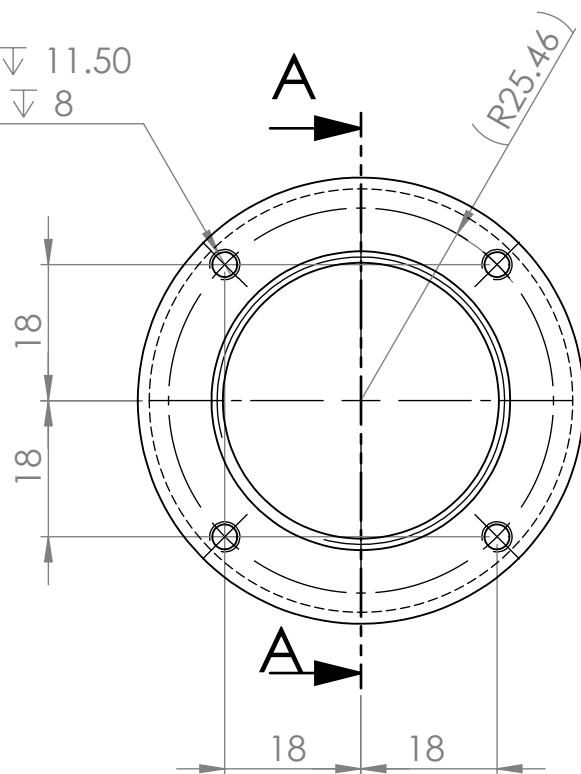




4 x  $\varnothing$  3.30  $\nabla$  11.50  
M4 - 6H  $\nabla$  8



## SECTION A-A

Zwart Anodiseren  
Laagdikte 25-50 $\mu$ m

UNLESS OTHERWISE SPECIFIED:  
DIMENSIONS ARE IN MILLIMETERS  
SURFACE FINISH:  
TOLERANCES:  
LINEAR: DIN ISO 2768-m  
ANGULAR:

**Universiteit Gent**  
Vakgroep Fysica & Sterrenkunde  
Krijgslaan 281 S9 B-9000 Gent BELGIUM  
+32 (0)9 264 47 74



DRAWN :  
NAME: GW  
DATE: 21/4/2016  
FINISH: Anodiseren Zwart

TITLE:

# Focus Ring

MATERIAL:  
Alu

DWG NO.

FocusRing

A4

**SolidWorks Educational Edition.  
For Instructional Use Only.**